



REDLINE™

RAPID ENGINEERING DEVELOPMENT SYSTEMS

Modular Platforms Designed by Engineers for Engineers

RDL-ITFOTA-001

INTERFACE MODULE 4G LTE CAT-1 IN “DUO COMMS” FORMAT FOR AURIX™

Overview

Designed for use with our REDline™ Carrier board, this Module adds connectivity over 4G, 3G, and 2G networks, providing developers a platform for; secure file transfer, Over The Air (OTA) software upgrade, cloud services and remote troubleshooting.

The module is based on the Sierra Wireless™ industrial grade HL7688 modem.

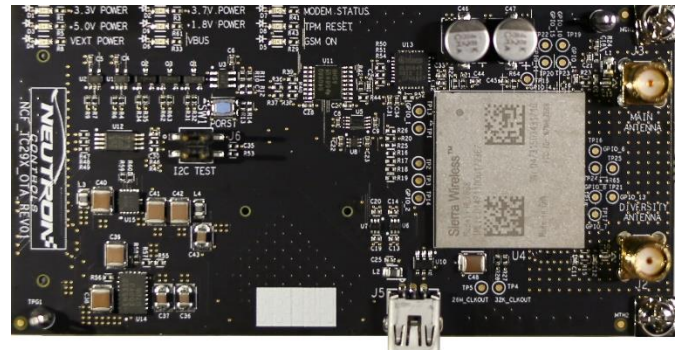
The module includes Infineon’s SLB6945 Trusted Platform Module (TPM), version 1.2, adding an extra level of security to the data link.

The “Duo Comms” form factor allows using either one of two available sockets on the REDline™ Carrier board. EEPROM based module ID allows auto detection and resource assignment by Neutron Controls AURIX™ Explorer development applications.

A complete hardware development support package is available including; schematics, BOM, layout, Gerbers and PCB stack-up.

Base module software includes a CLI providing an easy to use communication interface with the modem using AT-commands.

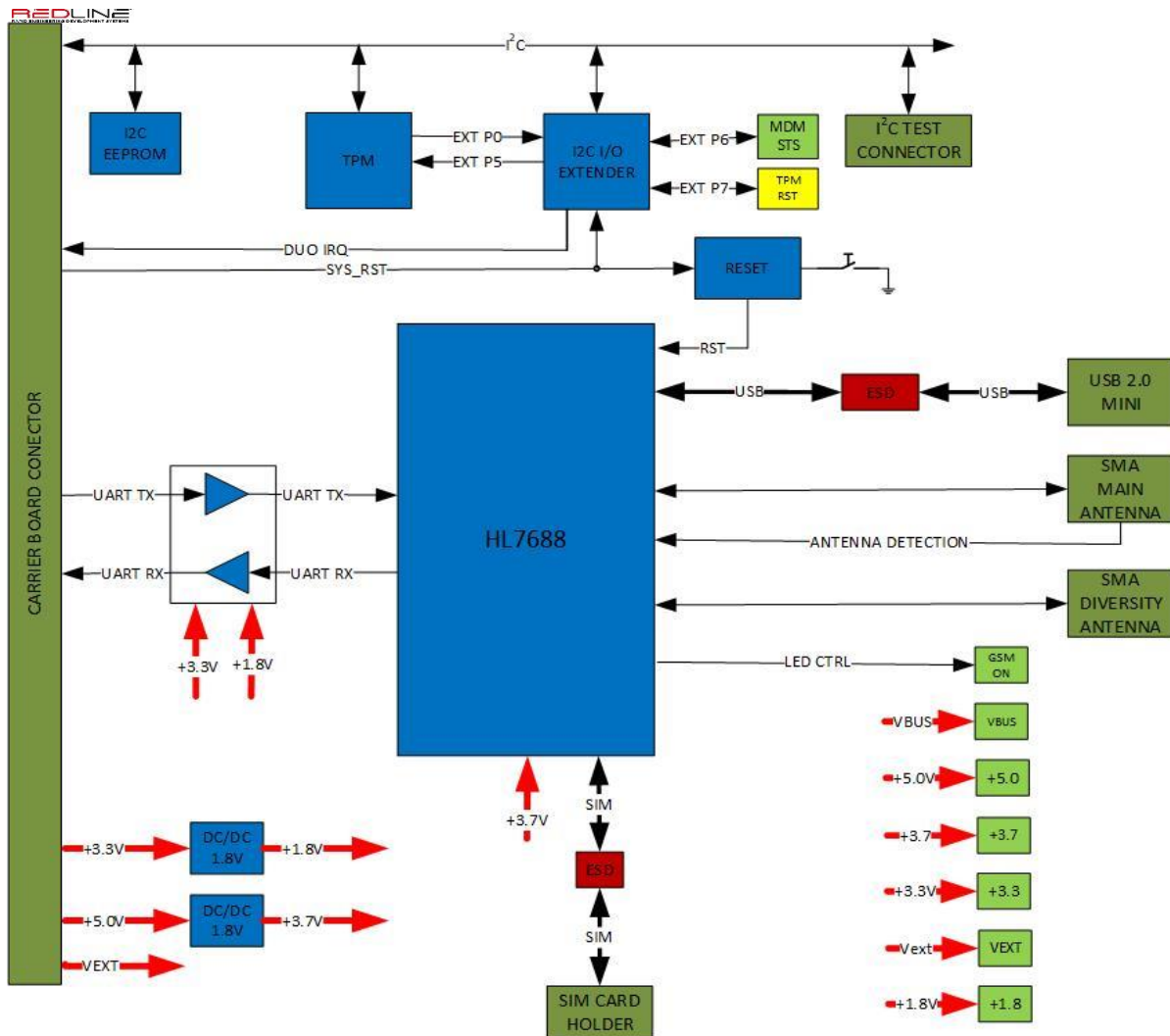
All software projects and sources are built using the TASKING VX-toolset for TriCore.



Features

- North America 4G LTE Cat-1, 3G, 2G network compatible.
- Supports AT&T (USA) and Rogers (Canada) carriers.
- Other regions available through ordering options.
- OTA connectivity for easy file transfer and software upgrade at up to 10Mbps.
- Standard SIM card holder.
- Industry standard SMA connectors for main and diversity antennas.
- High speed UART interface to the modem.
- Extra USB2.0 connectivity for direct HL7688 communication.
- TPM module with physical presence, interrupt, polling and reset connectivity.
- I2C interface to TPM, EEPROM and bus extender.
- LED indication for all power rails.
- “Modem Status” and “TPM reset” AURIX™-controlled LEDs.

Block Diagram



Compatibility

The Module is designed to work with AURIX™ Base Carrier Development Platform

Part Number: **RDL-DEVCDP-00x**

Ordering Information

Module Part Number: **RDL-ITFOTA-001** (see datasheet for exact ordering options)

Supplier: Neutron Controls, 350 Palladium Drive, Suite 102 Ottawa, Ontario, Canada K2V 1A8

WWW.NEUTRONCONTROLS.COM