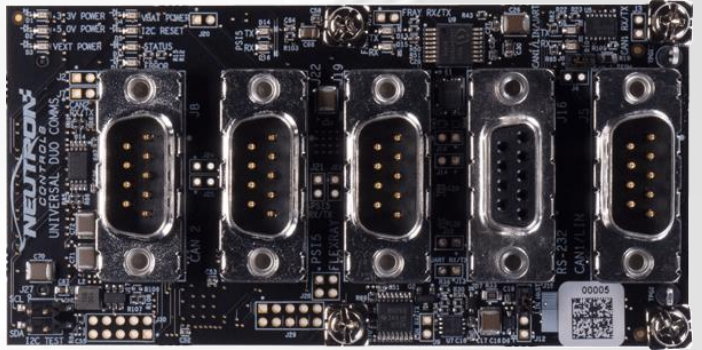




Designed by Engineers for Engineers

Duo Comms

Multi-communication Interface for AURIX™



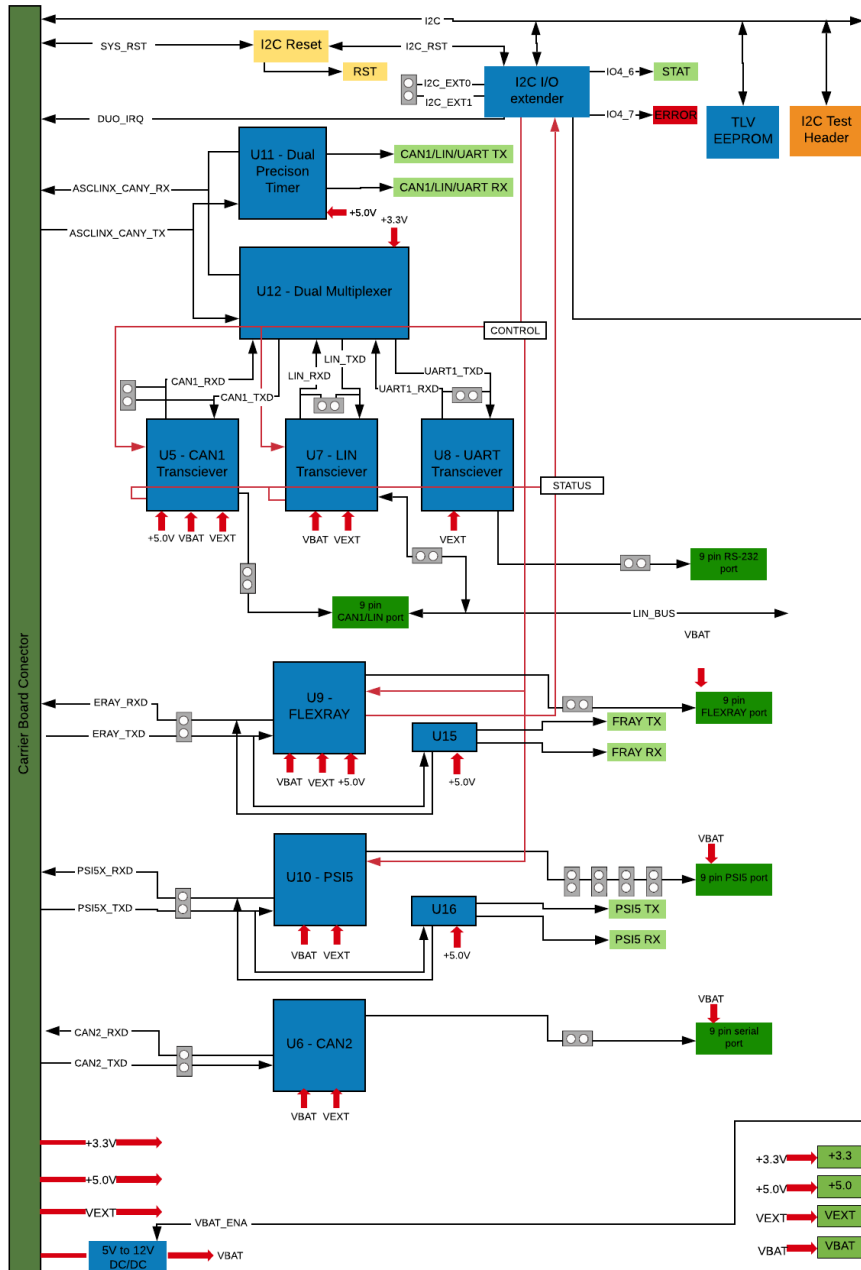
Overview

- Designed for use with our REDline™ carrier board, this Module provides seamless interfacing for development and troubleshooting for the AURIX™ MCU platform firmware.
- The module provides two CAN bus, one LIN bus, RS-232, FlexRay and PSI5 interfaces to the REDline™ carrier board platform. This module takes advantage of the AURIX™ configuration having CAN, LIN, and RS-232 (UART/ASC) on the same pins. Thus, the Duo Comm module is configured to have only one of these communication protocols running at once, with a transceiver specific to each one.
- There is a secondary CAN interface that has a simpler transceiver and is not shared with another interface. This allows for the secondary CAN to be used as an isolated and debugging CAN node.
- The "Duo Comms" form factor allows using either one of two available sockets on the Carrier board.
- All software projects and sources are built using the TASKING VX-toolset for TriCore.

Features

- I²C interface to TPM, EEPROM and bus extender.
- LED indication for all power rails.
- Signal LEDs are associated with each transceiver to identify if data has been received or transmitted.
- Connection headers at each transceiver terminals
- Five (5) nine pin serial ports for CAN, LIN, PSI5, and FLEXRAY. There are four male, one female (for UART connection).
- Secondary CAN node for debugging purposes.
- Since a single bit is too slow to pass, the signal blinker (timer) functions as a power stretcher to allow readability.





Compatibility

- The Module is designed to work with AURIX™ Base Carrier Development Platform

Ordering Information

- Module Part Number: **RDL-ITFDUO-001** (see datasheet for exact ordering options)

